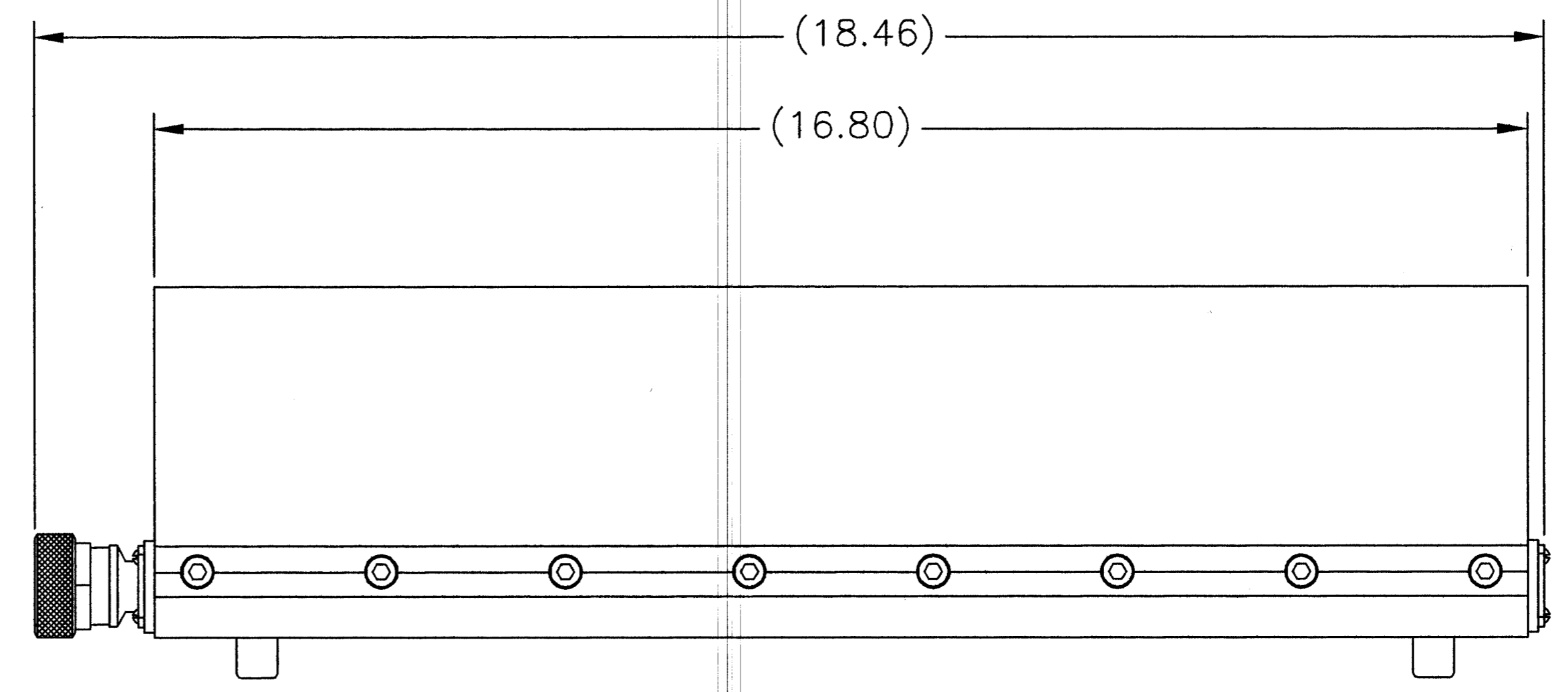
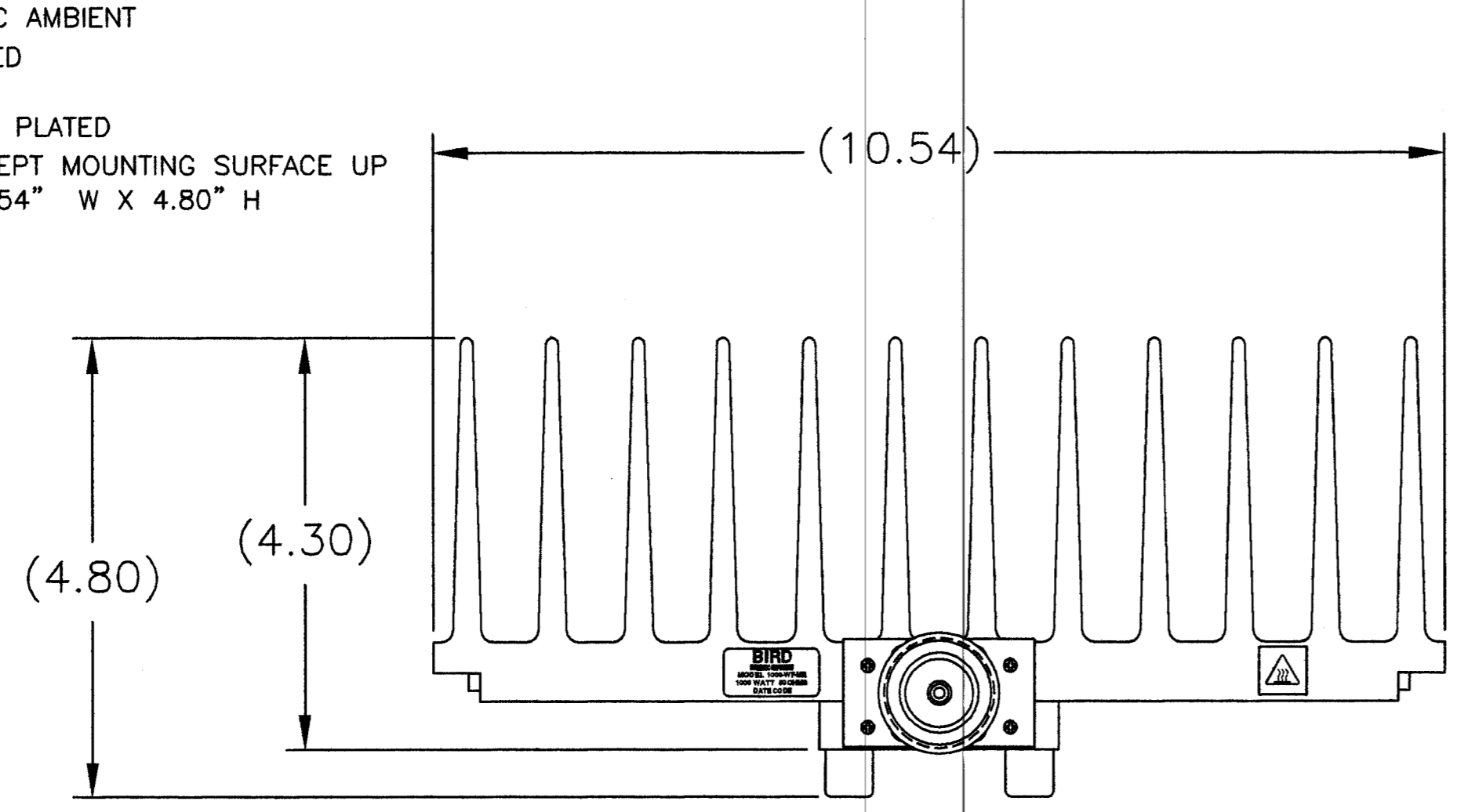


SPECIFICATIONS:  
 IMPEDANCE: 50 OHMS NOMINAL  
 FREQUENCY RANGE: DC TO 2.4GHz  
 VSWR: DC TO 1GHz AT 1.10:1 MAX.  
 1GHz TO 2.4 GHz AT 1.25:1 MAX.  
 POWER RATING: 1000 WATTS CW AT 25°C AMBIENT  
 COOLING FIN: ALUMINUM, BLACK ANODIZED  
 COVER: ALUMINUM, BLACK ANODIZED  
 CONNECTOR: 7/16 IEC MALE, TRI-ALLOY PLATED  
 OPERATING POSITION: ANY POSITION EXCEPT MOUNTING SURFACE UP  
 NOMINAL SIZE: APPROX. 18.46" L X 10.54" W X 4.80" H  
 WEIGHT: APPROX. 26.5 LBS

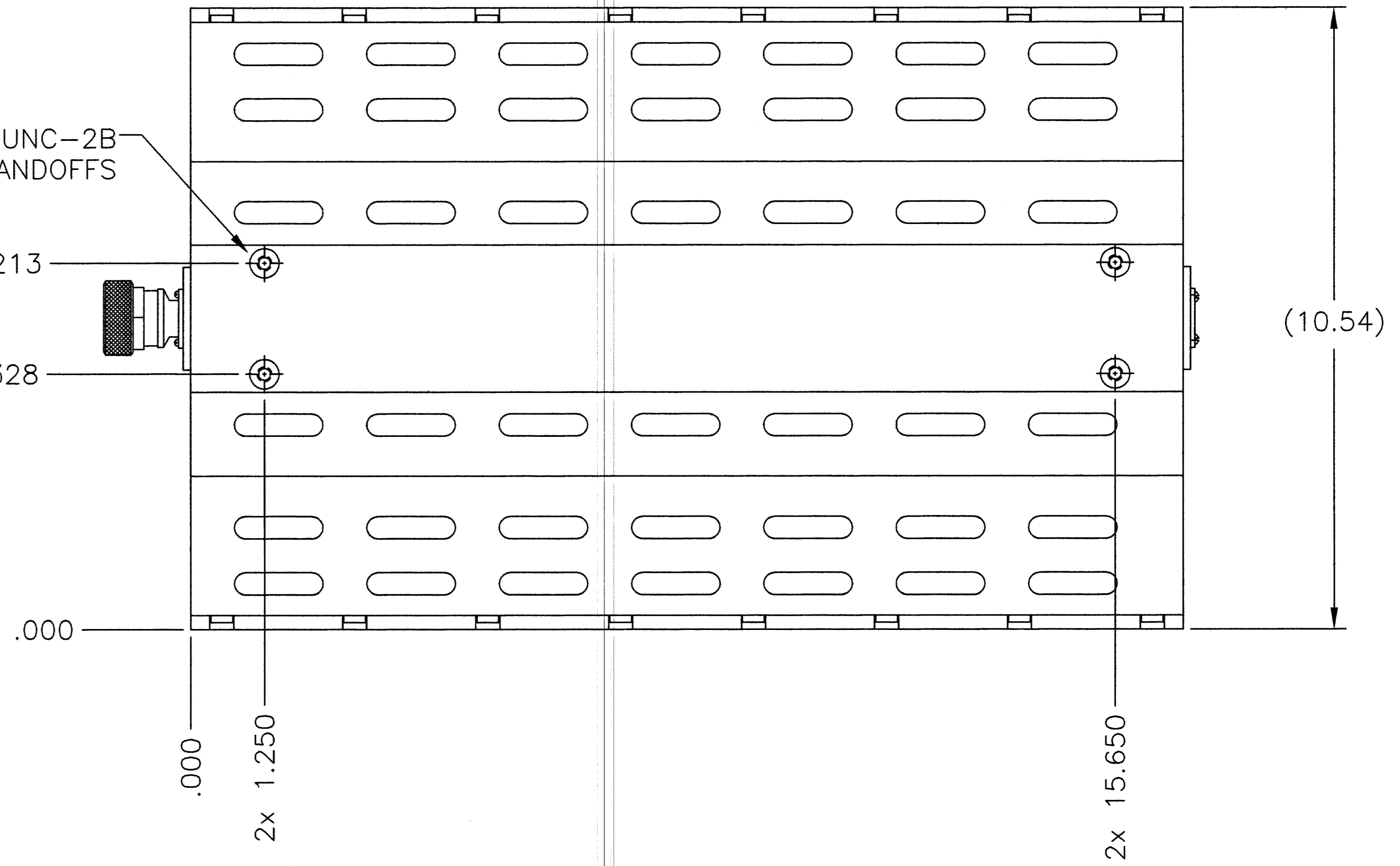
REVISIONS				
ZONE	REV	DESCRIPTION	DATE	APPROVED
A		NEW DRAWING PER DMD	11-19-02	MBV
B		DIMENSION CORRECTIONS	1-24-03	MBV



4x 1/4-20UNC-2B  
 REMOVABLE STANDOFFS

2x 6.213

2x 4.328



DIMENSIONS HEREON ARE FOR CUSTOMER  
 CONVENIENCE AND REFERENCE ONLY.  
 TOLERANCE TO BE APPLIED ONLY WHERE  
 INDIVIDUALLY STATED ON THE RESPECTIVE  
 DIMENSION. -DO NOT SCALE DRAWING-

UNLESS OTHERWISE SPECIFIED DIMENSIONS ARE IN INCHES		MILLIMETERS XX= ±.12		THIS DRAWING IS THE PROPERTY OF THE BIRD ELECTRONIC CORPORATION. THE DESIGNS AND SPECIFICATIONS DISCLOSED HEREON ARE PROPRIETARY AND SHALL NOT BE REPRODUCED, NOR COPIED, NOR USED AS THE BASIS FOR THE MANUFACTURE OR SALE OF APPARATUS OR DEVICES WITHOUT THEIR EXPRESS WRITTEN CONSENT.		<b>BIRD</b> Electronics Corporation Cleveland (Solon) Ohio USA	
TOLERANCES ARE: FRACTIONS DECIMALS ANGLES ± 1/64 .001 ± 0.010 ± 30'		DO NOT SCALE DRAWING		DATE		TITLE	
MATERIAL		DRAWN		DATE		TERMINATION, CONNECTION COOLED	
FINISH		CHECKED		DATE		7/16 IEC MALE, 1000W	
APPROVED		D.M.RINK		11-19-02		SIZE FSCM NO. DWG. NO.	
MBV		3-17-03		AUTOCAD		D 70998 1000-WT-ME	
SCALE 1:1		COMM CODE LD1		SHEET 1 OF 1		REV B	

DWG. NO. 1000-WT-ME